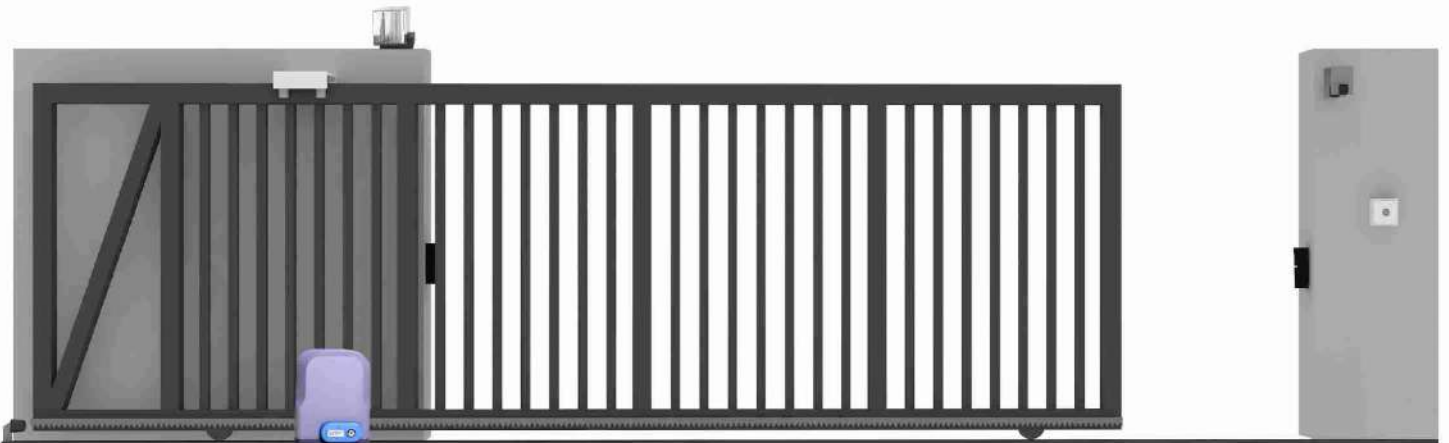




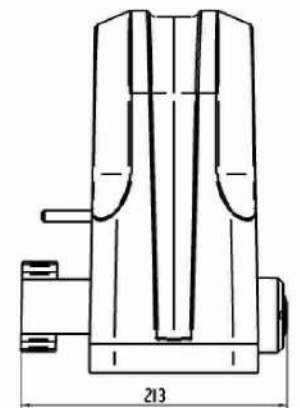
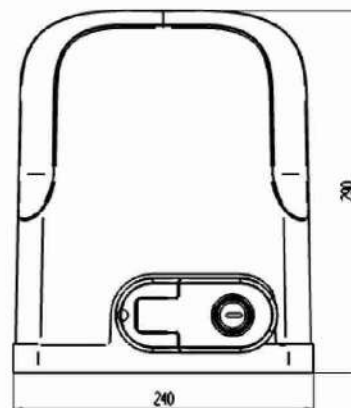
## SLIDING GATE OPERATOR AZSL98 / AZSL99 / AZSL100

# AUTOZON®



### PRODUCT DESCRIPTION:

- o AUTOZON Electro mechanical gear operator is ideal for sliding gates up to 500 / 600 / 800 kg.
- o Long lasting operator with zero maintenance
- o Corrosion resistance sturdy aluminum base
- o Control mechanism added features, e.g. Partial opening
- o Auto reverse mechanism when met with any obstacle.
- o Adjustable running time
- o Soft start and Soft stop
- o Easily accessible emergency release
- o Suitable for residential, business centre, hotel, hospital, etc.,





**RECOMMENDED ACCESSORIES:**



AZ T21W  
Transmitter



AZ T22  
Transmitter



AZ PC 10  
Photocell



AZ PCW L11  
Wireless Photocell



AZ SLGSC 332  
Safety Edge Kit



AZ FL 19  
Flash Lamp



AZ KS 15  
Key Switch



AZ WLKP 17  
Wireless Keypad



AZ RF WIFI 31 A  
Wifi Module



AZ GSM 30  
GSM Module



AZ SLSP 319  
Solar Kit



AZ CSVC 217  
Car Sun Visor Clip

**GATE HARDWARE:**



Sliding Gate Wheel  
with Double Plates



Guide Bracket with  
4 Nylon Roller



End Cap with  
Nylon Roller



Sliding Gate  
Track



Sliding Gate  
Nylon Rack



Sliding Gate  
Rack

**OPTIONAL INTEGRATION:**



FACE  
RECOGNITION



FINGER  
PRINT



RFID



QR CODE



PASSWORD



IOT



GSM



SAFETY  
DEVICES



BATTERY  
BACKUP

<b>TECHNICAL SPECIFICATIONS:</b>	<b>AZSL98</b>	<b>AZSL99</b>	<b>AZSL100</b>
Power supply	220 V - 240 V AC	220 V - 240 V AC	220 V - 240 V AC
Motor power	24 V DC / 150 W	24 V DC / 170 W	220 V AC / 280 W
Gate moving speed	13 m / min	18 m / min	13 m / min
Maximum weight of gate	500 Kg	800 Kg	600 Kg
Output Torque	14 Nm	18 Nm	14 Nm
Remote control distance	≥ 30 m	≥ 30 m	≥ 50 m
Limit switch	Magnetic Limit	Magnetic Limit	Spring limit switch
Max Recording of Transmitter	40 nos	40 nos	30 nos
Working Time	S2, 20 mins	S2, 20 mins	S2, 20 mins
Working temperature	-20°C ~ +70°C	-20°C ~ +70°C	-20°C ~ +70°C
Protection Class	IP 54	IP 54	IP 54
Product Weight	10 Kg	10 Kg	10.10 Kg